



**HAL**  
open science

## Carboxylation of alcohol for CO<sub>2</sub> valorisation: thermodynamic and kinetic study

Alain Ledoux, Marie Décultot, Marie-Christine Fournier-Salauen, Lionel Estel

### ► To cite this version:

Alain Ledoux, Marie Décultot, Marie-Christine Fournier-Salauen, Lionel Estel. Carboxylation of alcohol for CO<sub>2</sub> valorisation: thermodynamic and kinetic study. 10th World Congress of Chemical Engineering, Oct 2017, Barcelone, Spain. . hal-02409753

**HAL Id: hal-02409753**

**<https://normandie-univ.hal.science/hal-02409753v1>**

Submitted on 13 Dec 2019

**HAL** is a multi-disciplinary open access archive for the deposit and dissemination of scientific research documents, whether they are published or not. The documents may come from teaching and research institutions in France or abroad, or from public or private research centers.

L'archive ouverte pluridisciplinaire **HAL**, est destinée au dépôt et à la diffusion de documents scientifiques de niveau recherche, publiés ou non, émanant des établissements d'enseignement et de recherche français ou étrangers, des laboratoires publics ou privés.

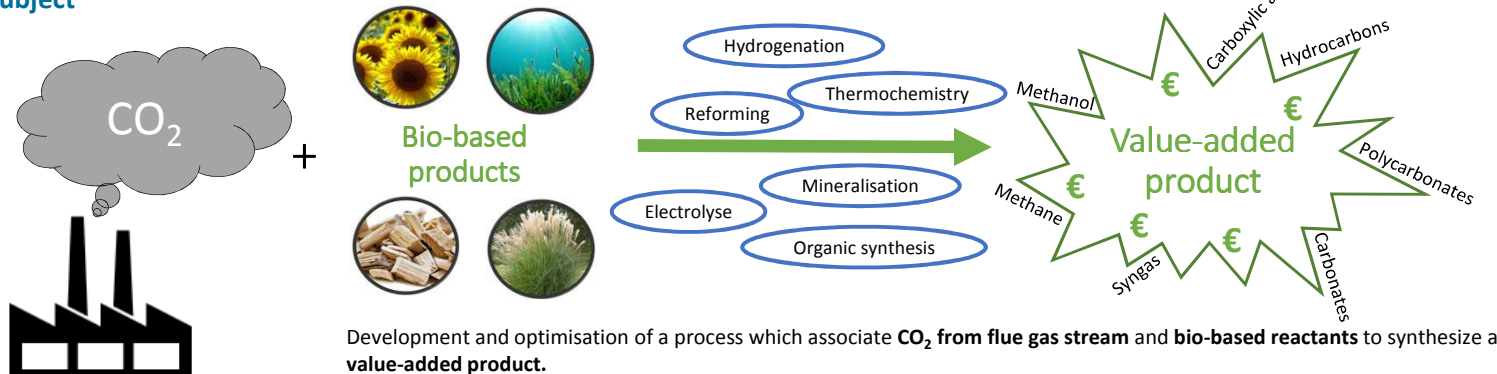
## Context

- Considering **global warming** effect on earth, the diminution of CO<sub>2</sub> emissions becomes imperative.
- A new chemistry of CO<sub>2</sub> is developing to face up to the **rarefaction of fossil resources**.
- The **valorization of CO<sub>2</sub>** using **bio-based products** creates a true **circular economy** by using CO<sub>2</sub> as a source of carbon to produce value-added products.

## Objective

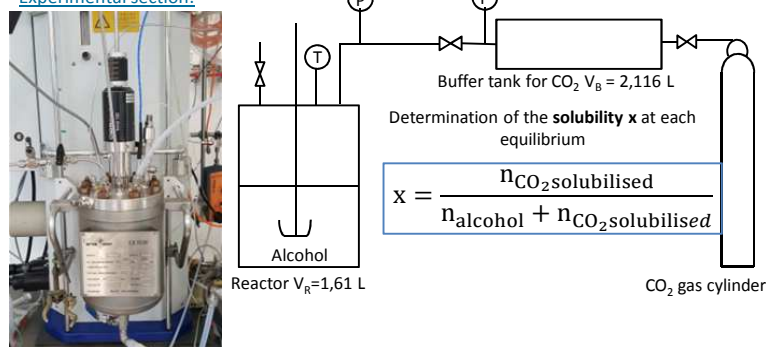
Transformation of CO<sub>2</sub> by  
limiting the use of fossil energy

## Subject



## Study of the solubility of CO<sub>2</sub>

### Experimental section:



### Calculation of the amount of CO<sub>2</sub>:

Use of the equation of **Peng-Robinson (1976)** to simulate the behaviour of CO<sub>2</sub>, real gas:

$$P = \frac{RT}{v - b} - \frac{a(T_c)\alpha(T)}{(v^2 + 2bv - b^2)}$$

$$a(T) = \Omega_a \frac{R^2 T^2}{P_c} \quad \Omega_a = 0.07780$$

$$b = \Omega_b \frac{RT_c}{P_c} \quad \Omega_b = 0.457240$$

$$\alpha(T) = [1 + m(1 - T_r^{0.5})]^2$$

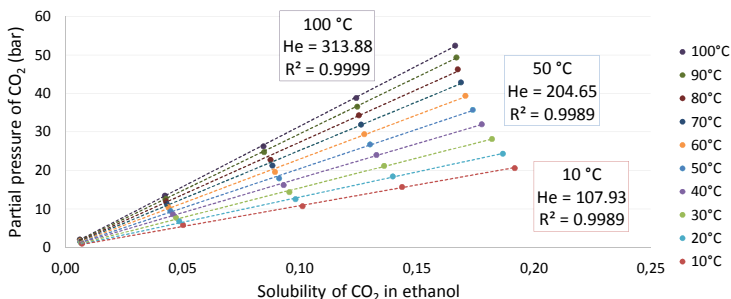
$$m = 0.374640 + 1.542260\omega - 0.26992\omega^2$$

$$\omega = 0.228; T_c = 304.8 \text{ K}; P_c = 73.8 \text{ bar}$$

### Results for ethanol:

Determination of the **Henry's law coefficient**:

$$P_{\text{CO}_2} = \text{He} \cdot x_{\text{CO}_2}$$

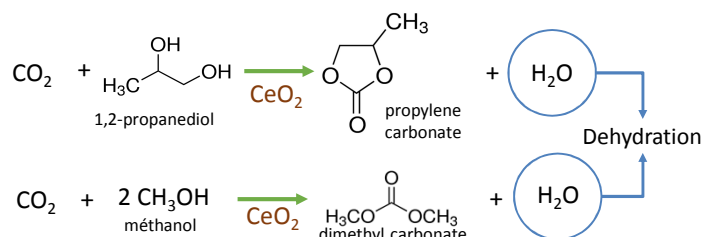


The solubility is proportional to the pressure of CO<sub>2</sub> for **ethanol, methanol, 1,2-propanediol and glycerol**. Results are in good agreement with the literature<sup>2</sup>.

## Studied Reaction

Carboxylation of diols and alcohols to obtain **cyclic and linear carbonates** with the use of **cerium oxide catalyst**.

### Synthesis of the main products:



Study of **dehydrating systems** to shift the equilibrium toward the formation of carbonates

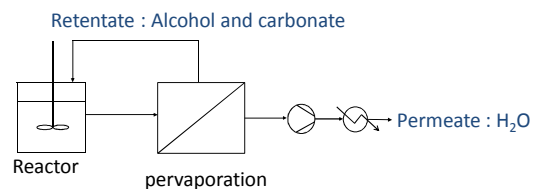
### Examples of dehydrating systems<sup>1</sup>:

- Use of a **dehydrating reagent**



- Use of a **molecular sieve**

- Use of a **pervaporation system**



### Applications of carbonates:

- Fuel additive to reduce SO<sub>x</sub> and NO<sub>x</sub> emissions
- Low toxic solvent
- Starting materials for polycarbonates

## Conclusion

- Study of the reaction of carboxylation of alcohols and diols with CO<sub>2</sub> to produce carbonates: study of **dehydration systems**.
- Measure of the solubility of CO<sub>2</sub> in **methanol, ethanol, 1,2-propanediol and glycerol**.
- Objective**: Development of a sustainable process which associate CO<sub>2</sub> and a **bio-based reagent** to produce **value-added chemical products**

<sup>1</sup>M. Honda et al. J. Catal., vol. 318, pp. 95–107, 2014, M. Honda et al. ACS Catal., vol. 4, no. 6, pp. 1893–1896, 2014; <sup>2</sup>Gui et al. J. Chem. Eng. Data 56, 2420–2429, 2011